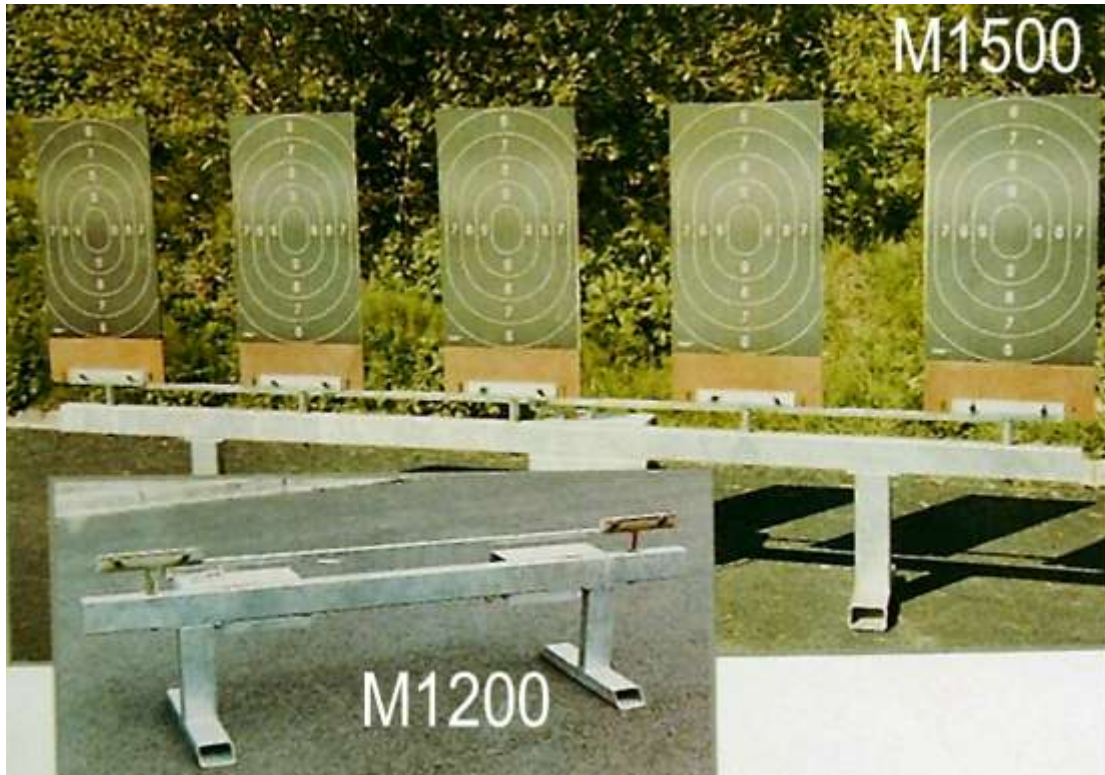


# MILITEC



## Turning Target Frames

Militec Ltd. produce a range of stationary turning target frames that are capable of presenting targets to the shooter in less than 0.3 seconds.

The M1500 series uses a powerful 12Vdc 180 watt permanent magnet motor to provide a smooth turning action, with minimal target shaking, for the standard plywood backing boards.

All frames are constructed from mild steel sections which have been hot dipped zinc galvanised to prevent corrosion with all fixing being stainless steel.

### M1500-5 details are:-

Weight.	65 Kilos.
Minimum height	355mm.
Overall width.	3300mm.
Depth (Front to back).	280mm.

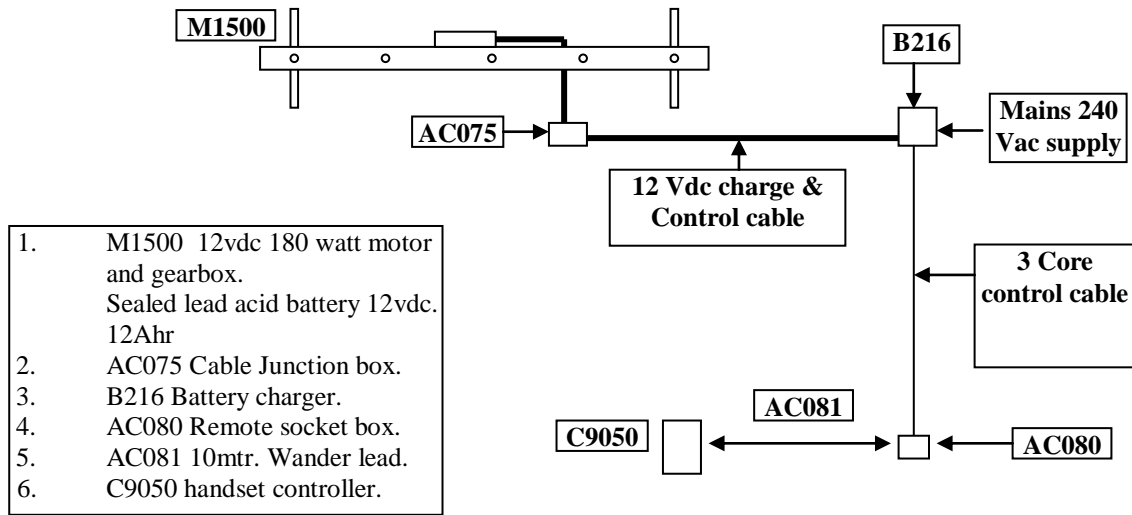
Militec Ltd., Unit 16, Cwm Cynon Business Park, Mountain Ash, Mid-Glam, UK. CF45 4ER

Tel:- ++44(0)1443 476849. Fax:- ++44(0)1443 478822

Email:- [sales@militec.co.uk](mailto:sales@militec.co.uk)

Copywrite © Militec 2006

**General Range Arrangement.**



**Mode of Operation.**

The drive unit is powered from a standard sealed lead acid integral battery, that is continually trickle charged from the B216 charger.

The C9050 controller is connected to the motor unit’s electronics via a 3 core signal cable, which in turn feeds the 12Vdc. supply to the controller.

**C9050 Handset controller**

The C9050 has been designed for outdoor/indoor use. With the electronics housed in a sealed aluminium die cast box with an easy to use keypad control and clear display.



**Specification:-**

1.	Dims.	
	Length.	160mm.
	Width	95mm.
	Depth	55mm.
2.	Weight.	500 grams.
3.	Power	12 Vdc from the target frame.
4.	Manual operation.	
5.	Programmable on the keypad.	
6.	‘FACE’ time	1 – 999 seconds.
7.	‘EDGE’ time	1 – 999 seconds.
8.	‘REPEAT’ sequence	1 – 999.
10.	‘PAUSE’ program facility.	